

# HARDWARE ISOLATION PLATFORM

Highly scalable with unprecedented data transfer rates, the Hardware Isolation Platform is a dual-segment solution that combines cutting-edge security and adaptive capabilities to ensure guaranteed spacial isolation of critical data and optimize diverse workloads.



## CROSS DOMAIN SOLUTION

Control comms and data transfer between domains of different classification levels with an FPGA hardware firewall.



## DATA ISOLATION

Remote areas of memory create a data buffer between CPUs or virtual machines, securely storing frequently accessed data.



## MIXED CRITICALITY

Integrate workloads with different criticalities on a single platform while prioritizing higher criticality tasks over lower ones.



## Unmatched Performance

sub-400ns unloaded latency  
>100GB/s bandwidth

Experience lightning-fast, secure data transfer, robust data isolation, and efficient management with our cutting-edge solution.

Set new industry standards for speed, efficiency, and control across domains.

Trust our solution for unparalleled performance and reliability in diverse data environments.

Powered by

## MULTI-LAYER SECURITY | ZERO TRUST ARCHITECTED



**CXL** is a high-speed interconnect technology providing a unified, efficient interface for connecting host processors and accelerators.



**Strict revision control** is achieved through Trenton's approved vendor list (AVL), ensuring engineer-vetted parts.



**Longevity** is at the core of what we do thus enabling our customers to receive their US-made solution for decades to come.



**AgileX7 FPGA** is a programmable device that optimizes performance and power efficiency while providing flexibility and scalability.



**Counterfeit Protection Program (CPP)** helps Trenton detect, remove, and destroy counterfeit parts and components.



**TAA-compliance** is achieved because Trenton manufactures its systems and solutions in the United States.



**Full Infrastructure Offload** provides an extra layer of security by serving as a control point of the host for running applications.



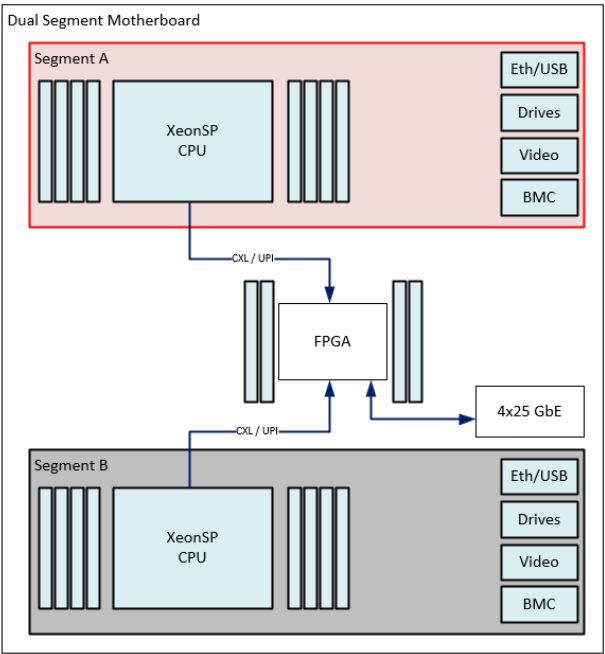
**Vetted supply chain** helps protect your system from potentially compromised counterfeit electronic parts and components.



**CSfC, CMMC, and AS9100D adherence and compliance** allow Trenton to consistently provide secure, high-quality computing solutions.

[Contact Us](#)

GET IN TOUCH  
[trentonsystems.com](https://www.trentonsystems.com)  
[sales@trentonsystems.com](mailto:sales@trentonsystems.com)  
 +1 (770)-287-3100



## HARDWARE-BASED ISOLATION

A secure platform that partitions CPUs individually and allows independent security domains with independent memory access rules. Run multiple applications, networks, and services on a single piece of hardware without interference or resource contention.

## Technical Specifications

SPECIFICATION	DETAILS
Processing	Intel® 4th Gen Xeon® SP CPUs
Memory	DDR5-4800
Storage	2x SATA M.2 SSDs
Form Factors	2U rack mount server at 20" depth
Network Interface	2x 10 GbE, 4x 1 GbE with IPMI
Power	1200W

Designed with next-gen processing, offloading, and management technologies to handle a diverse range of evolving application and program needs, enabling seamless and secure collaboration across domains.

**Contact Us** for more information.

770.287.3100 | [info@trentonsystems.com](mailto:info@trentonsystems.com)

